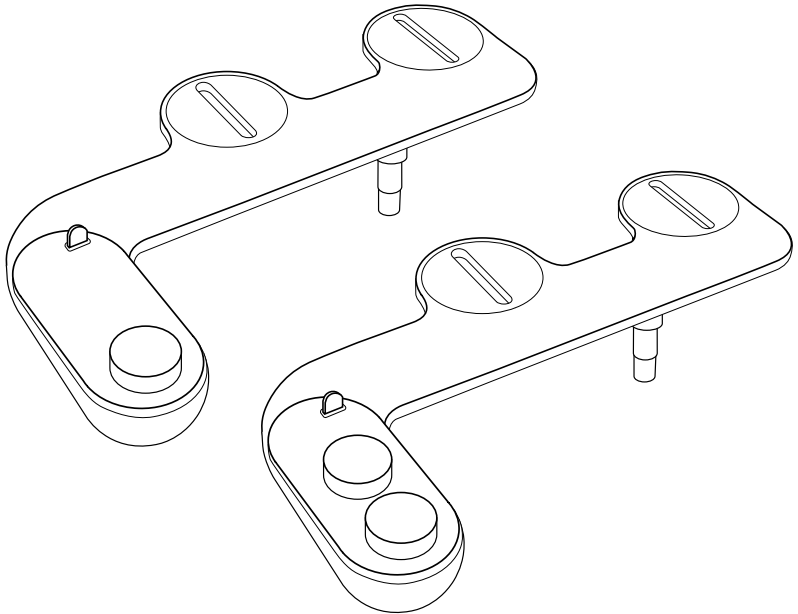


## Owner's Manual

---

# FreshSpa Thinline Bidet Attachment with Adjustable Single Nozzle

Models FSA-15 / FSA-25



# Contents

This manual contains important safety information. Before operating your FreshSpa, please read this manual thoroughly and retain it for future reference.

## **PRODUCT INFORMATION**

- 3** Product Features
- 4** Product Dimensions
- 5** Product Parts

## **PRODUCT INSTALLATION**

- 6** Before Installation
- 7** Installation
- 10** Installing the Bidet Attachment

## **PRODUCT OPERATION**

- 12** Using the FreshSpa

## **TECHNICAL INFORMATION**

- 14** Maintenance
- 15** Product Specifications
- 16** Warranty
- 17** Contact Information

## **TRANSLATIONS**

- 18** Espanol
- 34** Francais

## Product Features

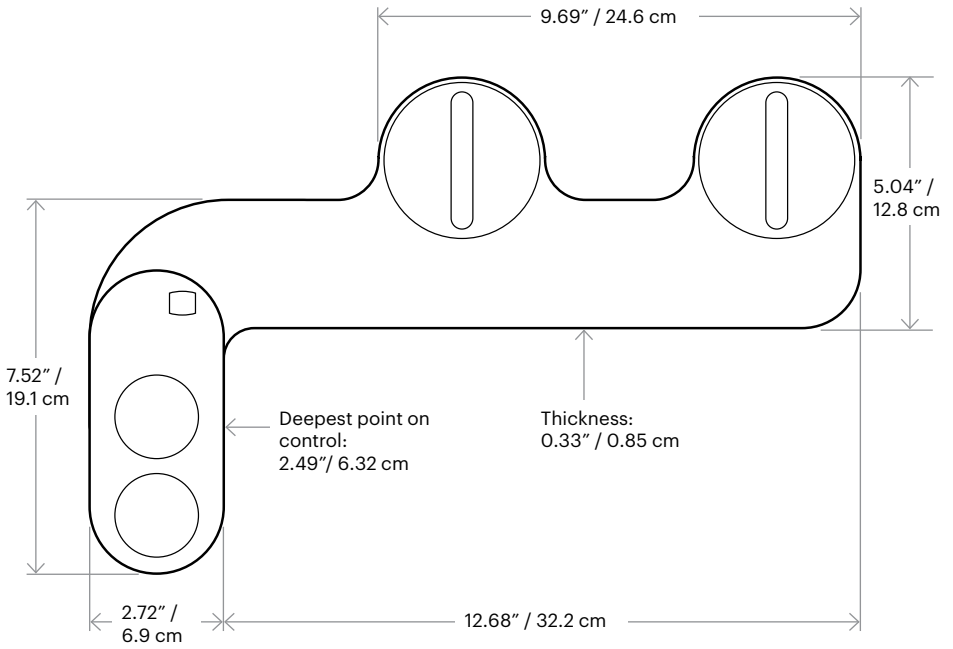
### **FSA-15 / FSA-25 FEATURES**

- High-quality ABS material with full body panel
- Adjustable nozzle position for front and rear washes
- Hygienic retractable nozzle
- Self-cleaning nozzle feature
- Ambient temperature bidet wash
- Adjustable water pressure
- High-quality metal  $\frac{3}{8}$ " T-Valve
- Durable braided-metal cold water hose
- No electricity or batteries required
- Easy installation and adjustable toilet fit
- All accessories included for standard installation
- 1-year warranty

### **FSA-25 DUAL TEMPERATURE FEATURES ONLY**

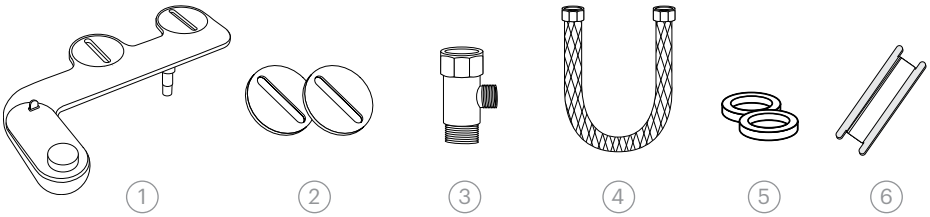
- Warm and cool water bidet washes
- Adjustable water temperature
- Durable high-temperature hot water flex tubing
- High-quality metal  $\frac{3}{8}$ " T-Valve

# Product Dimensions



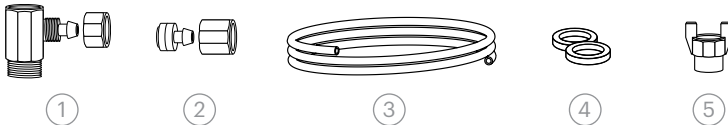
# Product Parts

1. Bidet attachment
2. Adjustable mounting brackets
3. Cold water T-Valve connector  
( $\frac{7}{8}$ " x  $\frac{7}{8}$ " x  $\frac{3}{8}$ " )
4. Cold water braided-metal hose  
Hose length: 23.62"
5. Large rubber washers (2)
6. Teflon tape



## FSA-25 Dual Temperature Only

1. Hot water  $\frac{3}{8}$ " T-valve with  $\frac{1}{4}$ " pressure connector and pressure cap
2. Hot water tubing pressure connector with pressure cap
3.  $\frac{1}{4}$ " hot water flex tubing  
Hose length: 78.74"
4. Small rubber washers (2)
5. Hot water supply cap



# Before Installation

**IMPORTANT:**

Please be advised that the provided cold water T-Valve should be installed at the fill valve under the toilet tank. Do not disconnect from water supply valve on the wall.

**NOTE:** The hot water T-Valve will be installed at the hot water supply under your bathroom sink. If you do not have access to the fill valve under the toilet tank, visit us at [www.brondell.com](http://www.brondell.com) or contact us at **1-888-542-3355** for further assistance.

**For FSA-25 Dual Temperature Model Only**

Check the size of the hot water supply connection (most likely under the sink/washbasin). This should be a  $\frac{3}{8}$ " connection to properly fit and install the enclosed T-Valve.

**NOTE:** If the connection is a  $\frac{1}{2}$ " connection, you will need to purchase the following reducing adapter available online and at many plumbing hardware stores: **Reducing Adapter,  $\frac{1}{2}$ " Female NPT x  $\frac{3}{8}$ " Male Compression**

**Check water supply line**

Check the water supply line that connects the toilet tank fill valve to the water shut-off valve at the wall.

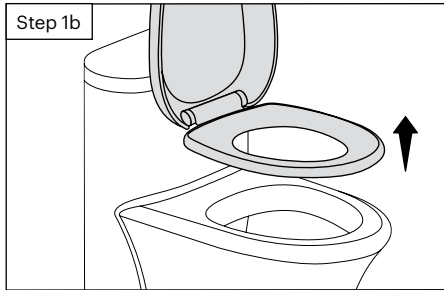
- If it is a rigid pipe, you will need to purchase a flexible water supply hose to replace it before installing the FreshSpa.
- The length of the hose may vary, and the top connection size should be  $\frac{7}{8}$ " ballcock to connect to the T-Valve that you will install under the toilet tank.
- The bottom connection will vary (most common are  $\frac{3}{8}$ " and  $\frac{1}{2}$ " female compression).

# Installation

Please read these instructions carefully before installing your FreshSpa. Failure to do so could result in flooding, leaking or damage to the product.

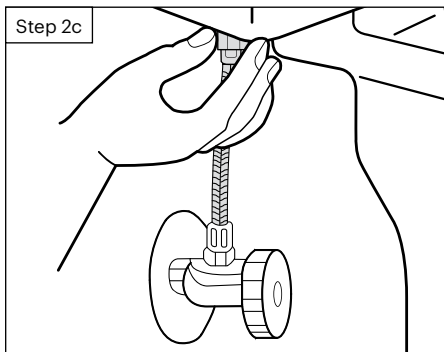
## 1. Existing toilet seat removal

- Lift hinge covers and use flathead or Phillips-head screwdriver to remove the mounting bolts. Alternatively, you may need to loosen the mounting bolts underneath the seat.
- Remove the toilet seat, and set the seat, mounting bolts, and hardware aside.



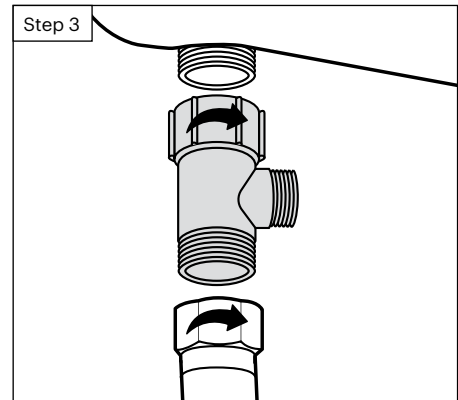
## 2. Turn off water supply valve and flush toilet

- Turn water supply valve off to stop the flow of water.
- Flush toilet and hold down handle to completely empty tank.
- Disconnect water supply hose from toilet tank; do not disconnect from the water supply valve.



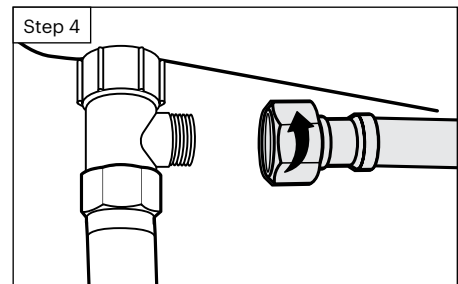
## 3. Connect cold water T-Valve to the toilet tank fill valve

- Install the 3/8" cold water T-Valve with one or both of the large rubber washers to the incoming water connection on the bottom of your toilet tank.
- Connect the cold water supply line coming from the wall to the bottom of the T-Valve.



## 4. Connect bidet hose to T-Valve

Connect one end of the braided-metal cold water bidet hose to the remaining open side of the installed T-Valve.

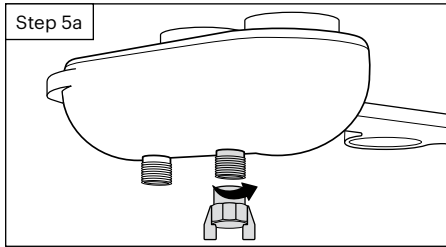


**FOR AMBIENT TEMPERATURE MODEL, STOP HERE AND PROCEED TO "INSTALLING THE BIDET ATTACHMENT" ON PAGE 10. FOR DUAL TEMPERATURE MODEL, CONTINUE.**

# Installation (Cont'd)

## 5. Install the hot water supply cap

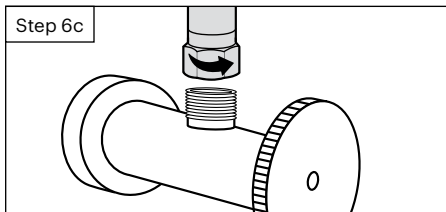
- a. If you are only connecting the cold water supply, then you must install the hot water supply cap (provided - see Page 5) over the hot water connection on your bidet (see diagram).
- b. After installing hot water cap, proceed to "Installing the Bidet Attachment" on Page 10. If you wish to also connect your hot water supply, proceed to the next steps.



**IMPORTANT:** Failure to connect or cap the hot water supply will result in leaking during use.

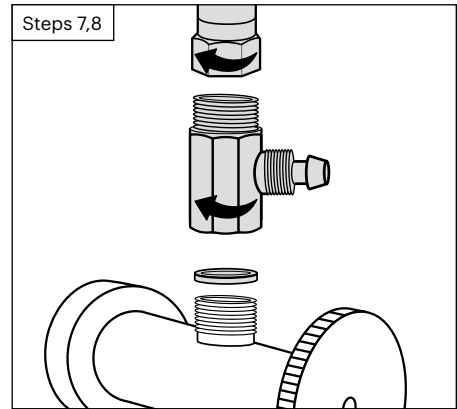
## 6. Disconnect the hot water supply

- a. Locate the hot water supply line in your bathroom under your sink/washbasin and turn the water supply valve all the way off.
- b. Drain the hot water line by turning the sink tap on the hot setting until no more water comes out.
- c. Disconnect hot water supply hose to sink from shut-off valve. You may have to use a  $\frac{3}{8}$ " compatible wrench or a similar tool (not supplied).



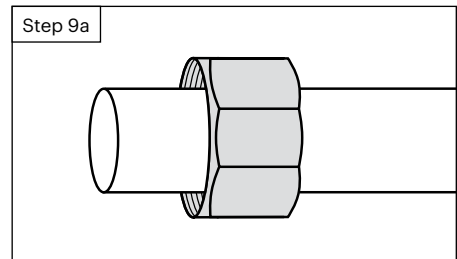
**NOTE:** There may be some residual water in the hose; use a small container or towel to catch any residual water.

7. Install the hot water  $\frac{3}{8}$ " T-Valve and the small rubber washers as needed onto the hot water shut-off valve under the sink
8. Reconnect hot water supply line to open end (top) of T-Valve



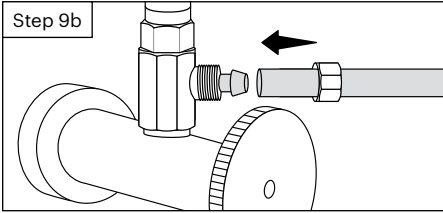
## 9. If not already removed, unscrew the pressure cap covering the pressure connector on the T-Valve

- a. Slide the pressure cap over the open end of the hot water flex tubing with the inside threads facing towards the open end.



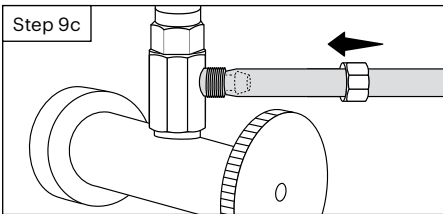
- b. Push the hot water flex tubing over the pressure connector.



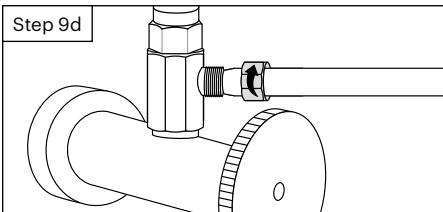


**IMPORTANT:** Be sure to slide the hot water flex tubing over the pressure connector until the tubing slides past the “lip” of the pressure connector and it cannot go any further.

- c. Slide the pressure cap down until the cap meets the pressure connector.



- d. Screw the cap onto the T-Valve until secure and tight.

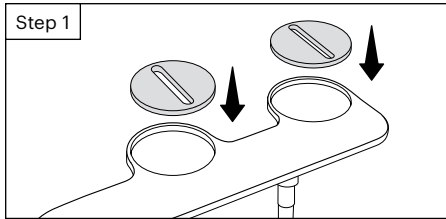


**CAUTION:** Do not overtighten the pressure cap. You will risk damaging the tubing.

# Installing the Bidet Attachment

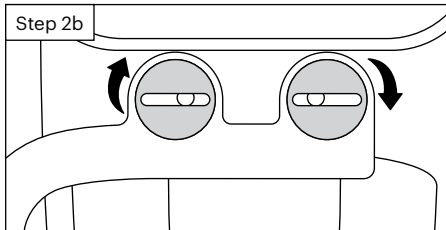
**1. Install adjustable mounting brackets into the bidet attachment**

Place circular mounting brackets into the circular openings of the bidet attachment.

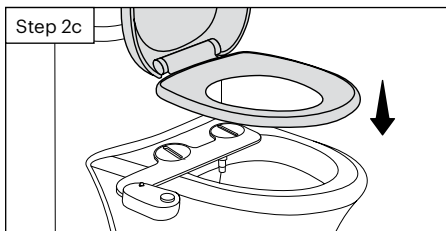


**2. Install bidet attachment on toilet**

- a. Place the bidet attachment on the toilet with the nozzle close to the back of the toilet, leaving a slight gap between the toilet and the nozzles. This will vary by toilet.
- b. Make sure the adjustable brackets line up with the holes in the toilet fixture. You may need to rotate the adjustable brackets accordingly to line up properly.



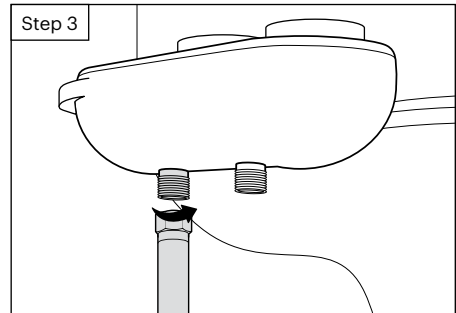
- c. Replace the toilet seat on top of the bidet attachment and secure using original toilet seat hardware. Make sure to tighten so that the bidet attachment and seat do not move.



- d. Ensure the bidet control knob is in the off position and isn't turned to one of the operating positions to prevent water from accidentally spraying out of the toilet bowl.

**3. Connect bidet hose to bidet attachment**

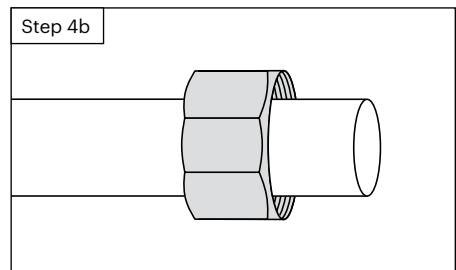
Connect the open end of bidet hose to the cold connection under the bidet attachment.



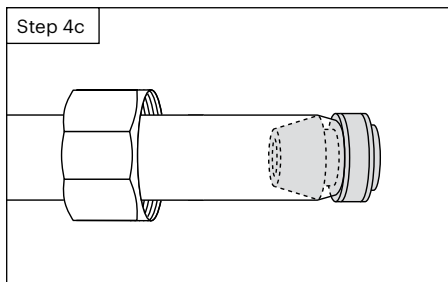
**NOTE:** If you have already installed the hot water supply cap over the hot water supply on your FSA-25 Dual Temperature model, skip to Step 5 on Page 11. Otherwise, proceed to the next steps.

**4. Connect hot water tube to bidet attachment (FSA-25 dual temperature model only)**

- a. Take the hot water tubing pressure connector and remove the pressure cap.
- b. Slide the pressure cap over the open end of the hot water flex tubing with the inside threads facing towards the open end.



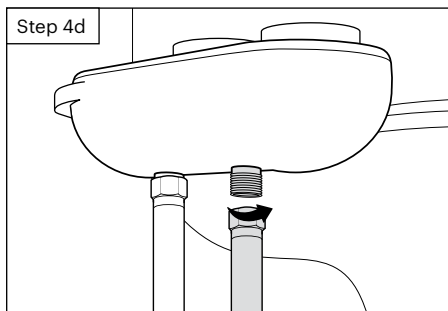
- c. Push the pressure connector into the open end of the hot water flex tubing with the washer facing out.



**NOTE:** If there is any leaking, check all rubber washers and make sure all water connections are tight and secure. If necessary, you can use plumber's tape for any leaking connections.

**IMPORTANT:** Be sure to slide the hot water flex tubing over the pressure connector until the tubing slides past the "lip" of the pressure connector and it cannot go any further.

- d. Hold the pressure connector up against the hot water inlet on the bidet attachment. Slide the pressure cap along the tubing and screw the cap onto the hot water inlet until the pressure connector is secure.



## 5. Turn on water supply and check for leaks

- Open the main water supply valve slowly and check for leaks.
- Wait 5-10 minutes, check again, and if there are no leaks, continue.

# Using the FreshSpa

## 1. Self-cleaning nozzle feature

To clean the bidet nozzle, turn the control dial counter clockwise towards the “nozzle clean” position and water will wash over the nozzles.

## 2. Bidet wash

To engage a bidet wash setting, turn the dial clockwise towards the bidet wash zone.

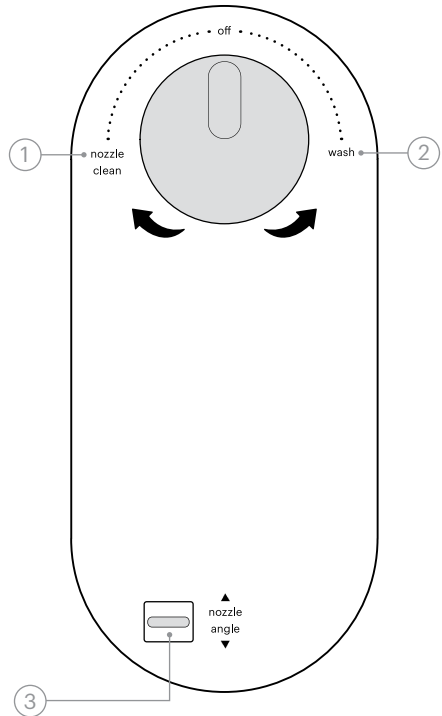
- The further the dial is turned, the higher the water pressure will be.
- To lower the water pressure, turn the dial back towards the center.

## 3. Adjustable nozzle position

Use the nozzle position lever to find the best angle for the ultimate cleanse.

- Moving the lever forwards will position the nozzle away from you.
- Moving the lever backwards will position the nozzle closer to you.

**TIP:** The nozzle position lever can be used during a wash to create an oscillation motion, providing a wider cleaning action.



**⚠ WARNING ⚠**

Risk of scalding. High water temperature can cause severe burns.  
Be sure to set the water temperature for your hot water heater at or below 120°F (49°C)  
and use extreme caution when mixing hot and cold water during use.

Brondell is not liable for any misuse of product or failure  
to use caution when connecting to hot water.

**Warm water wash (FSA-25 dual temperature model only)**

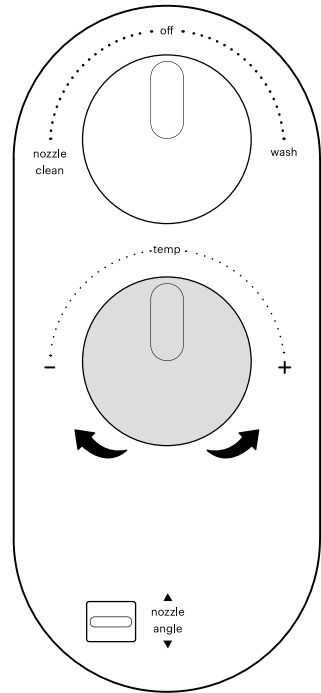
To adjust water temperature (when both hot and cold water are connected), slowly turn dial clockwise towards “+” until the desired temperature is reached.

**NOTES:**

There may be a delay in the warm water reaching the bidet attachment as the cold water in your pipes clears and is replaced with hot water (similar to the delay when you turn your faucet on).

If only connected to cold water, make sure that the temperature dial on the bidet attachment is turned as far as it can go towards the “-” setting for best pressure adjustability.

**TIP:** For a quick and easy way to get warm water to the bidet, run the “Nozzle Cleaning” function with the warm water turned on for a short time until the water heats up, then use as normal.



# Maintenance

## **Manual nozzle cleaning**

To manually clean the nozzle, use a toothbrush or soft cloth and mild detergent (such as dish soap).

## **Cleaning the bidet attachment**

To clean the FreshSpa Adjustable Bidet Attachment, use a mild cleaner such as dish soap or a diluted mix of vinegar and water. Do not scrub or use harsh, abrasive products to clean the FreshSpa as they may scratch the product.

## **Short term non-use**

If the product will not be used for more than a few weeks, you may consider shutting the water supply off at the wall for extra precaution.

# Product Specifications

FRESHSPA THINLINE BIDET ATTACHMENT WITH ADJUSTABLE SINGLE NOZZLE	
Models	FSA-15, FSA-25
Supply Water Pressure	14.5 psi–116.03 psi / 0.1 MPa–0.8 MPa
Dimensions (L x W x H)	15.43" x 9.96" x 3.33" / 39.2 cm x 25.3 cm x 8.45 cm
Weight	FSA-15: 1.28 lb / 0.58 kg FSA-25: 1.71 lb / 0.78 kg
Product Thickness	0.33" / 0.85 cm
Incoming Water Temperature Range	32°F–158°F / 0°C–70°C
Flow Rate	0.39 g/min / 1.47 L/min

Note: The specifications listed above are subject to change without prior notice for reasons of improving the product performance.

# Warranty

Brondell products are backed by some of the most comprehensive warranties in the industry. Brondell warrants that all products (excluding consumable items) shall be free from defects in material and workmanship under normal use and service.

## **FSA-15 & FSA-25 Residential One-Year Limited**

100% Coverage of all parts and labor for the entire product for the first year from original date of purchase.

## **FSA-15 & FSA-25 Commercial Warranty**

Warranty period 1 year from original purchase date for all Brondell products. Warranties may not apply to products that are used for heavy commercial, hospital, or other high use non-residential applications.

## **Exclusions and Limitations**

1. BRONDELL warrants its products to be free from manufacturing defects under normal use and service. This warranty is extended only to the ORIGINAL PURCHASER.
2. BRONDELL's obligations under this warranty are limited to repairs or replacement, at BRONDELL's option, of products or parts found to be defective, provided that such products were properly installed and used in accordance with instructions. BRONDELL reserves the right to make such inspections as may be necessary to determine the cause of the defect. BRONDELL will not charge for labor or parts in connection with warranty repairs for the first 3 years from date of purchase on all products except those that may be subject to commercial use limitations.
3. BRONDELL is not responsible for the cost of removal, return (shipping) and/or re-installation of products. This warranty does NOT apply to:
  - Damage or loss which occurs during shipment.
  - Damage or loss sustained through any natural or man-made causes beyond the control of BRONDELL, including but not limited to fire, earthquake, floods, etc.
  - Damage or loss resulting from sediments or foreign matter contained in a water system.
  - Damage or loss resulting from negligent or improper installation including installation of a unit in a harsh or hazardous environment.
  - Damage or loss resulting from removal, improper repair, modification of the product, or improper maintenance including damage caused by chlorine or chlorine-related products.
  - Damage or loss resulting from electrical surges, electrical outages, lightning strikes, or other acts which are not the fault of Brondell, or which the product is not specified to tolerate.
4. This warranty gives you specific legal rights. You may have other rights which vary from state to state.

THIS WRITTEN WARRANTY IS THE ONLY WARRANTY MADE BY BRONDELL. REPAIR OR REPLACEMENT AS PROVIDED UNDER THIS WARRANTY SHALL BE THE EXCLUSIVE REMEDY AVAILABLE TO THE PURCHASER. BRONDELL SHALL NOT BE RESPONSIBLE FOR LOSS OF USE OF THE PRODUCT OR FOR OTHER INCIDENTAL, SPECIAL, FOR CONSEQUENTIAL DAMAGES OR EXPENSES INCURRED BY THE PURCHASER OR FOR LABOR OR OTHER COSTS DUE TO INSTALLATION OR REMOVAL OR COSTS OF REPAIRS BY OTHERS, OR FOR ANY OTHER EXPENSE NOT SPECIFICALLY STATED ABOVE. EXCEPT TO THE EXTENT PROHIBITED BY APPLICABLE LAW, ANY IMPLIED WARRANTIES, INCLUDING THAT OF MERCHANTABILITY, ARE EXPRESSLY LIMITED TO THE DURATION OF THIS WARRANTY. SOME STATES DO NOT ALLOW LIMITATIONS, SO THE ABOVE LIMITATION AND EXCLUSION MAY NOT APPLY TO YOU.

## **How to Obtain Service**

To obtain repair service under this warranty, you must contact an authorized BRONDELL Service Center to obtain an RMA (Return Merchandise Authorization) number. Proof of purchase in the form of a copy of the original receipt must accompany the returned unit for the warranty to be valid. Take or ship the unit pre-paid to the closest Brondell authorized service center along with the RMA number and proof of purchase.

To obtain the RMA number and locate the BRONDELL Service Center location nearest you, please call 1-888-542-3355, Mon–Fri, 9am–5pm PST.



# Brondell

Feels better already.

Brondell, Inc.  
PO Box 470085  
San Francisco, CA  
94147-0085  
support@brondell.com  
www.brondell.com

**For questions, contact:**

Brondell Customer Service: (888) 542-3355  
Monday–Friday, 9am–5pm PST

**Manufactured by**

Brondell, Inc.  
PO Box 470085  
San Francisco, CA  
94147-0085

Made in China

**Please retain receipt records  
for any warranty claims.**

# Índice

Este manual incluye información importante de seguridad. Lea este manual atentamente antes de empezar a usar su accesorio para bidé FreshSpa y guárdelo para consultarlo en el futuro.

## **INFORMACIÓN DEL PRODUCTO**

- 19** Especificaciones del Producto
- 20** Dimensiones del Producto
- 21** Piezas del Producto

## **INSTALACIÓN DEL PRODUCTO**

- 22** Antes de Realizar la Instalación
- 23** Instalación
- 26** Cómo instalar el accesorio para bidé

## **FUNCIONAMIENTO DEL PRODUCTO**

- 28** Uso del FreshSpa

## **INFORMACIÓN TÉCNICA**

- 30** Mantenimiento
- 31** Especificaciones
- 32** Garantía
- 33** Contacto

## **TRANSLATIONS**

- 2** Inglés
- 34** Francés

## Especificaciones del Producto

### **FUNCIONES DEL FSA-15 DE TEMPERATURA AMBIENTE**

Posición de la boquilla ajustable para lavados delanteros y traseros

Material ABS de alta calidad con panel de una sola pieza

Boquillas higiénicas retráctiles

Boquillas autolimpiantes

Presión del agua ajustable

Válvula central interior de cerámica con diseño patentado de una sola pieza

Válvula en T de 7/8" en metal de alta calidad

Manguera de agua fría de metal trenzado resistente

No se necesita suministro de electricidad ni baterías

Instalación sencilla y ajuste adaptable al inodoro

Se incluyen todos los accesorios necesarios para la instalación estándar

Garantía de un año

### **FUNCIONES ÚNICAMENTE DEL FSA-25 DE DOBLE TEMPERATURA**

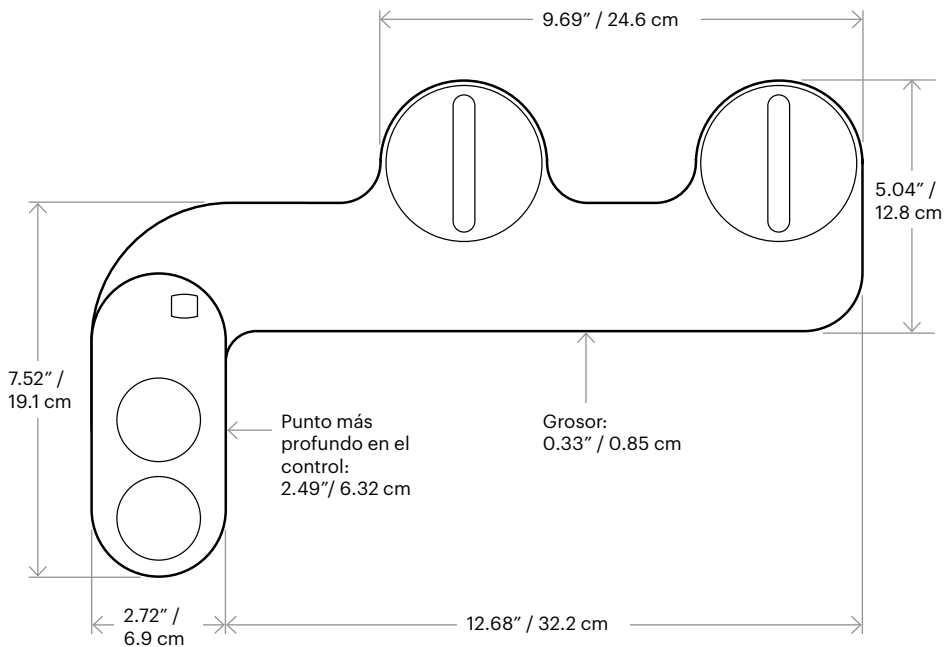
Opciones de bidé de lavado con agua caliente y fría

Temperatura de agua ajustable

Tubería para agua caliente durable y resistente a las altas temperaturas

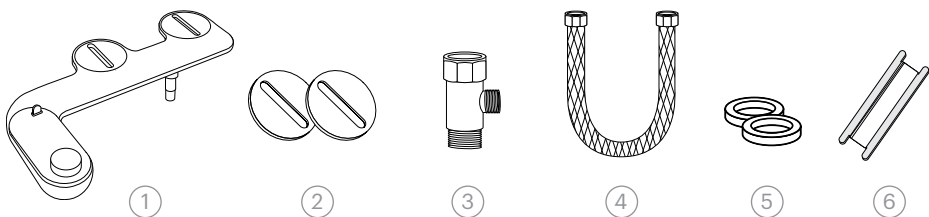
Válvula en T de 3/8" en metal de alta calidad

# Dimensiones del Producto



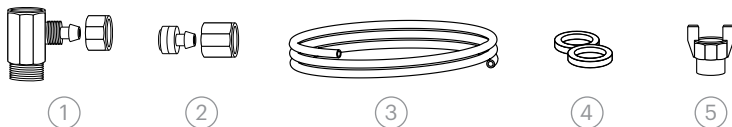
## Piezas del Producto

1. Accesorio Para Bidé
2. Soportes de Montaje Ajustables
3. Conector de Agua Fría de Válvula en T ( $\frac{7}{8}$ " x  $\frac{7}{8}$ " x  $\frac{3}{8}$ " )
4. Manguera de metal trenzado de agua fría, longitud de la misma: 60 cm
5. Arandelas Grandes de Goma (2)
6. Cinta de Teflón



### Solo Piezas de Temperatura Dual

1. Válvula en T para agua Caliente de  $\frac{3}{8}$ " con Conector de Presión de  $\frac{1}{4}$ " y Tapón de Presión
2. Conector de Presión de la Tubería de Agua Caliente con Tapón de Presión
3.  $\frac{1}{4}$ " tubo flexible de agua caliente, longitud de la manguera: 200 cm
4. Arandelas Pequeñas de Goma (2)
5. Tapón de la Entrada del Suministro de Agua Caliente



## Antes de Realizar la Instalación

### IMPORTANTE:

Tenga en cuenta que la válvula en T para agua fría provista se debe instalar en la válvula de llenado debajo del tanque del inodoro y NO en la entrada del suministro de agua fría que sale de la pared.

**IMPORTANTE:** La válvula en T para el agua caliente se instalará en la entrada del suministro de agua caliente debajo del lavabo del baño. Si no tiene acceso a la válvula de llenado debajo del lavabo del baño, consulte nuestro sitio [www.brondell.com](http://www.brondell.com) o comuníquese con nosotros al **1-888-542-3355** para obtener más ayuda.

### Solo para el modelo FSA-25 de doble temperatura:

Verifique el tamaño de la conexión de entrada del suministro de agua caliente (probablemente se encuentre debajo del lavabo o lavamanos). Debe ser una conexión de  $\frac{3}{8}$ " para que la válvula en T se pueda ajustar e instalar dentro correctamente.

**IMPORTANTE:** Si se trata de una conexión de  $\frac{1}{2}$ " tendrá que comprar el siguiente adaptador reductor, que podrá encontrar por Internet y en muchas tiendas de productos de plomería:  
**Adaptador reductor, hembra NPT de  $\frac{1}{2}$ " x  $\frac{3}{8}$ " de compresión macho**

### Verifique el Tubo del Suministro de Agua

Verifique el tubo de suministro de agua que conecta la válvula de llenado del tanque del inodoro con la válvula de corte en la pared. Si se trata de una tubería rígida, tendrá que comprar una manguera flexible de suministro de agua para reemplazarla antes de instalar el FreshSpa .

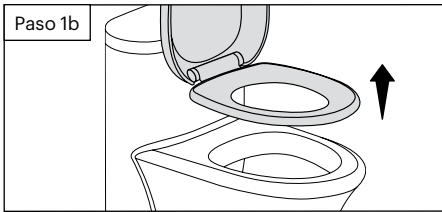
El largo de la manguera puede variar y la conexión superior debe ser para una válvula de flotador de  $\frac{7}{8}$ " para conectarla a la válvula en T que se instalará debajo del tanque del inodoro. La conexión inferior puede variar (por lo general, son de compresión hembra de  $\frac{3}{8}$ " y  $\frac{1}{2}$ ").

# Instalación

Lea atentamente estas instrucciones antes de instalar su FreshSpa . De lo contrario, podrían surgir problemas, como inundaciones, fugas o daños al producto.

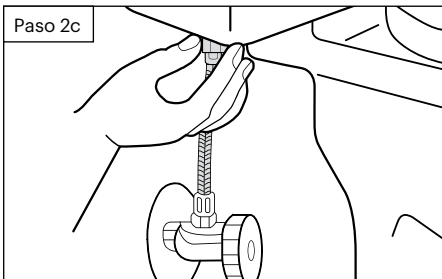
## 1. Cómo retirar el asiento para inodoro existente.

- Levante las cubiertas de las bisagras y use un destornillador Phillips o de cabeza plana para retirar los pernos de montaje. Es posible que también tenga que aflojar los pernos de montaje que se encuentran debajo del asiento.
- Retire el asiento para inodoro y déjelo a un lado, junto con los pernos y las herramientas.



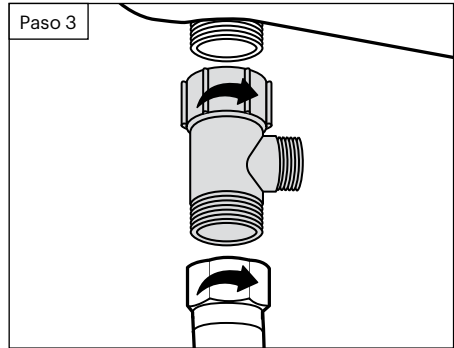
## 2. Cierre la válvula de suministro de agua y descargue el inodoro.

- Cierre la válvula de suministro de agua para detener el flujo de agua.
- Descargue el inodoro y mantenga la manija presionada para que el tanque se vacíe por completo.
- Desconecte la manguera del suministro de agua del tanque del inodoro. No la desconecte de la válvula de suministro de agua.



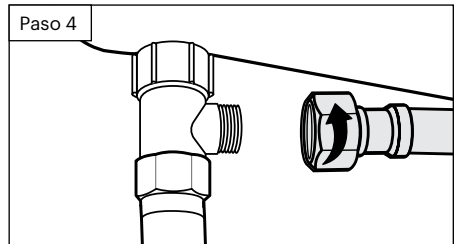
## 3. Conecte la válvula en T de la entrada de agua fría a la válvula de llenado del tanque del inodoro.

- Instale la válvula en T de  $\frac{3}{8}$ " de la entrada de agua fría con una o las dos arandelas grandes de goma en la conexión de entrada de agua que se encuentra en la parte inferior del tanque del inodoro.
- Conecte el tubo de suministro de agua fría de la pared a la parte inferior de la válvula en T.



## 4. Conecte la manguera del bidé a la válvula en T.

Conecte un extremo de la manguera del bidé de metal trenzado del agua fría al extremo libre de la válvula en T.

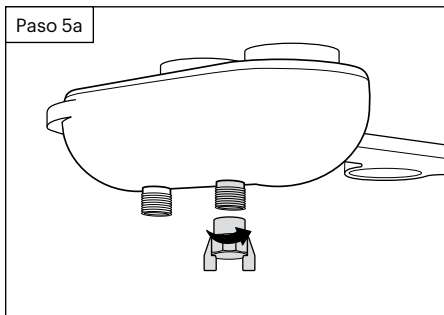


**PARA EL MODELO DE TEMPERATURA AMBIENTE, NO SIGA LOS PRÓXIMOS PASOS Y VAYA A LA SECCIÓN "CÓMO INSTALAR EL ACCESORIO PARA BIDÉ" EN LA PÁGINA 26. PARA EL MODELO DE DOBLE TEMPERATURA, CONTINÚE.**

## Instalación (Cont'd)

### 5. Instale el tapón de la entrada del suministro de agua caliente.

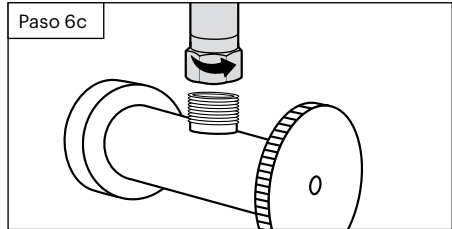
- Si solo va a conectar el suministro de agua fría, debe colocar el tapón de suministro de agua caliente (que está incluido; consulte la página 21) en la conexión de agua caliente de su Swash (consulte el diagrama)
- Después de instalar el tapón del agua caliente, continúe con la sección "Cómo instalar el accesorio para bidé" en la página 26. Si desea conectar también su suministro de agua caliente, continúe con los siguientes pasos.



**IMPORTANTE:** De lo contrario, el suministro de agua caliente goteará cuando use.

### 6. Conecte la entrada de agua caliente.

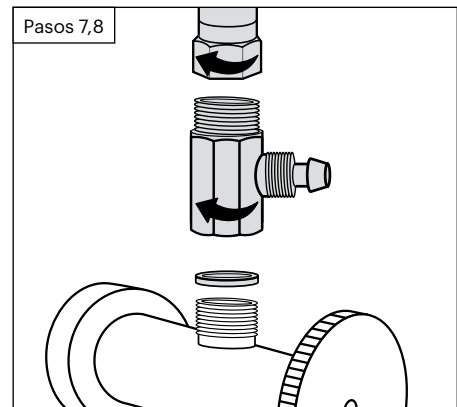
- Ubique el tubo de la entrada de agua caliente en su baño, debajo del lavabo o lavamanos, y cierre por completo la válvula de suministro de agua.
- Abra el grifo del agua caliente en el lavabo para que salga toda el agua del tubo.
- Desconecte la manguera de entrada del agua caliente del lavabo de la válvula cerrada. Quizás tenga que usar una llave inglesa compatible de  $\frac{3}{8}$ " u otra herramienta similar (no incluida).



**IMPORTANTE:** Es posible que quede agua residual en la manguera. Utilice un recipiente pequeño o una toalla para recogerla.

### 7. Instale la válvula en T de $\frac{3}{8}$ " del agua caliente y las arandelas de goma pequeñas según sea necesario en la válvula cerrada del agua caliente debajo del lavabo.

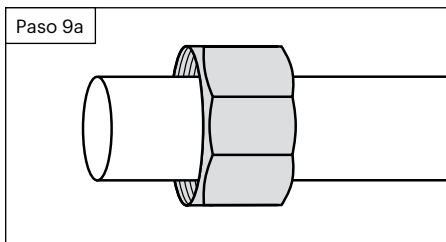
### 8. Vuelva a conectar el tubo de entrada del agua caliente con el extremo libre (superior) de la válvula en T.



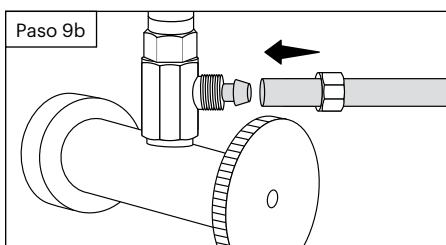
### 9. Si no lo retiró aún, desatornille el tapón de presión que cubre el conector de presión de la válvula en T.

- Deslice el tapón de presión sobre el extremo libre de la tubería flexible del agua caliente con la rosca hacia el extremo interior.



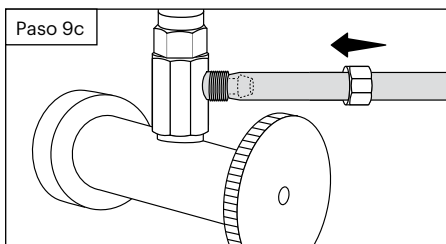


b. Presione la tubería flexible del agua caliente sobre el conector de presión.

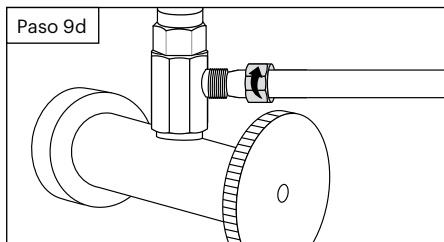


**IMPORTANTE:** Asegúrese de deslizar la tubería flexible del agua caliente sobre el conector de presión hasta que pase el borde del conector y no pueda avanzar más.

c. Deslice el tapón de presión hacia abajo hasta que toque el conector de presión.



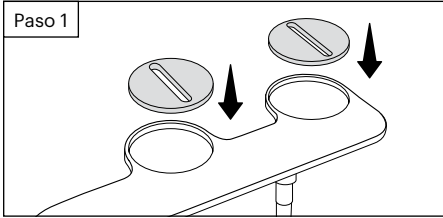
d. Atornille el tapón sobre la válvula en T hasta que quede fijo.



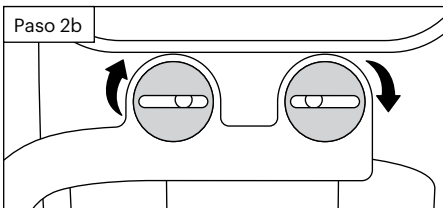
**ATENCIÓN:** No apriete demasiado el tapón de presión ya que podría dañar la tubería.

# Cómo Instalar el Accesorio Para Bidé

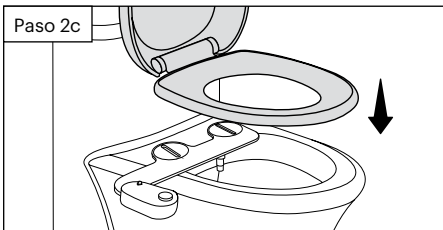
1. **Instale los soportes de montaje ajustables en el accesorio para bidé.**  
Coloque los soportes de montaje circulares en las aberturas circulares en el accesorio para bidé.



2. **Instale el accesorio para bidé en el inodoro.**
  - a. Coloque el accesorio para bidé en el inodoro de manera tal que la boquilla quede lo más cerca posible de la parte trasera de la taza del inodoro. Esta posición será diferente en cada inodoro.
  - b. Asegúrese de que los soportes ajustables queden alineados con los orificios de la base del inodoro. Es posible que deba rotar los soportes para lograrlo.

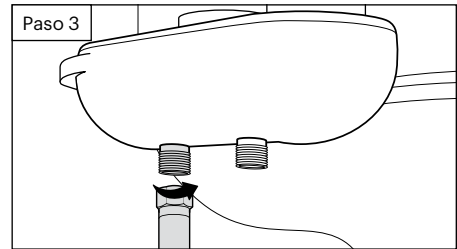


- c. Vuelva a colocar el asiento para inodoro sobre el accesorio para bidé y asegúrese de utilizar las piezas originales. Verifique que queden bien apretadas para que ni el accesorio ni el asiento se muevan.



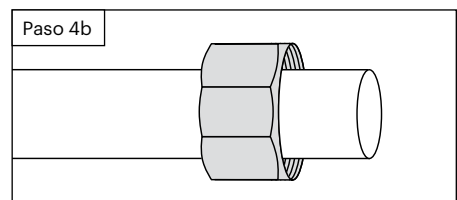
- d. Asegúrese de que la perilla de control del bidé esté en la posición de apagado y no esté girada hacia una de las posiciones de operación para evitar que el agua salga accidentalmente del inodoro.

3. **Conecte la manguera del agua fría del bidé al accesorio para bidé.**  
Conecte el extremo libre de la manguera del bidé a la conexión del agua fría en la parte trasera del accesorio para bidé.

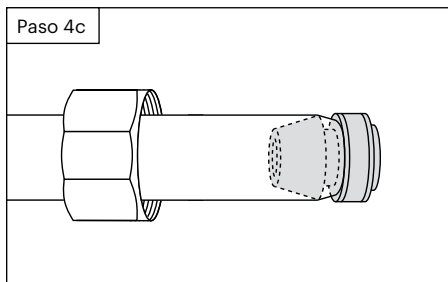


**IMPORTANTE:** Si ya colocó el tapón de la entrada del suministro de agua caliente sobre la entrada correspondiente en el modelo FSA-25 de doble temperatura, siga al paso 5 en la página 27. De lo contrario, continúe con los siguientes pasos.

4. **Conecte el tubo del agua caliente al accesorio para bidé (solo para doble temperatura).**
  - a. Tome el conector de presión de la tubería de agua caliente y retire el tapón de presión.
  - b. Deslice el tapón de presión sobre el extremo libre de la tubería flexible del agua caliente con la rosca hacia el extremo interior.

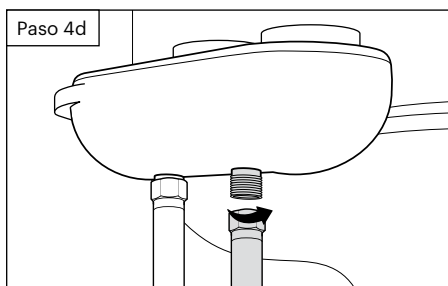


- c. Oprima el conector de presión sobre el extremo libre de la tubería flexible del agua caliente con la arandela hacia afuera.



**IMPORTANTE:** Asegúrese de deslizar la tubería flexible del agua caliente sobre el conector de presión hasta que pase el borde del conector y no pueda avanzar más.

- d. Sostenga el conector de presión contra la entrada del suministro de agua caliente del accesorio para bidé. Deslice el tapón de presión por la tubería y atorníllelo a la entrada del suministro de agua caliente hasta que quede fijo.



**5. Abra el suministro de agua y revise que no haya fugas.**

- Abra la válvula del suministro principal de agua y revise si hay pérdidas.
- Espere entre 5 y 10 minutos, vuelva a revisar y, si no hay pérdidas, continúe.

**IMPORTANTE:** Si hay pérdidas, revise todas las arandelas de goma y asegúrese de que todas las conexiones de agua estén bien ajustadas. Si fuera necesario, puede usar cinta plástica para sellar las conexiones que pierdan.

## Uso del FreshSpa

### 1. Función de autolimpieza de la boquilla

Para limpiar la boquilla de bidé, gire el selector de control a la izquierda hacia la posición de "limpiar boquilla" y el agua lavará las boquillas.

### 2. Limpieza del bidé

Para activar un ajuste de lavado bidé, gire el selector a la derecha hacia la zona de lavado bidet.

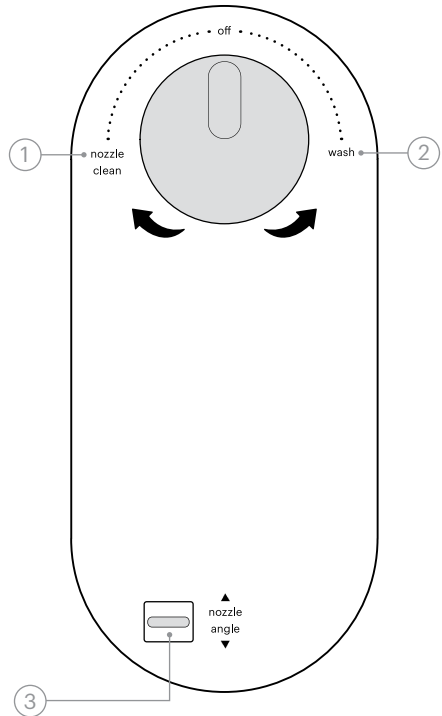
- Cuanto más se gire el selector, mayor será la presión del agua.
- Para bajar la presión del agua, gire el selector hacia el centro.

### 3. Posición de la boquilla ajustable

Utilice la palanca de posición de la boquilla para encontrar el mejor ángulo para la limpieza final.

- Mover la palanca hacia adelante posicionará la boquilla lejos de usted.
- Mover la palanca hacia atrás posicionará la boquilla más cerca de usted.

**CONSEJO:** La palanca de posición de la boquilla se puede utilizar durante un lavado para crear un movimiento de oscilación, proporcionando una acción de limpieza más amplia.



## ⚠️ ADVERTENCIA ⚠️

Existe riesgo de quemaduras. El agua a alta temperatura puede causar quemaduras graves. Asegúrese de que la temperatura del agua en su calentador esté configurada a 120°F (50°C) o menos y sea muy cuidadoso al mezclar agua caliente y fría durante el uso.

Brondell no será responsable de ningún uso inadecuado o negligente al conectar el agua caliente.

### Lavado con agua tibia (solo modelo FSA-25 de doble temperatura)

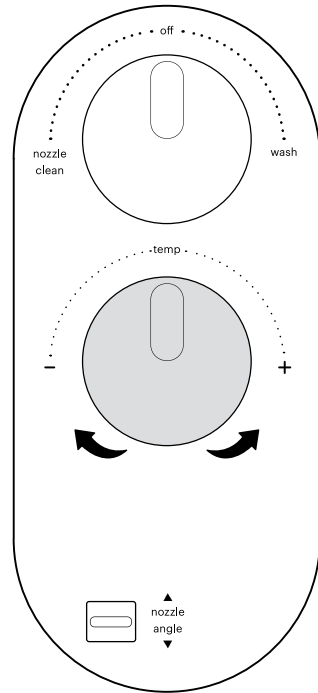
Para ajustar la temperatura del agua (cuando se abren el agua caliente y la fría), gire lentamente el selector a la derecha hacia “+” hasta alcanzar la temperatura deseada.

#### IMPORTANTE:

Es posible que el agua caliente demore en salir por el accesorio para bidé ya que primero debe salir el agua fría que se encuentra en las tuberías (como sucede cuando abre los grifos).

Si conectó el equipo solo al suministro de agua fría, asegúrese de que la rueda de temperatura del accesorio para bidé esté colocada en el extremo de la zona “-” (fría) para que pueda ajustar mejor la presión.

**CONSEJO:** Para una manera rápida y fácil de obtener agua tibia en el bidé, ejecute la función “Limpieza de boquillas” con el agua tibia encendida durante poco rato hasta que el agua se caliente, luego úsela como normal.



## Mantenimiento

### **Limpieza manual de boquillas**

Para limpiar manualmente la boquilla, use un cepillo de dientes o un paño suave y detergente suave (como jabón para platos).

### **Limpieza del accesorio de bidé**

Para limpiar el accesorio de bidé ajustable FreshSpa, use un limpiador suave como jabón para platos o una mezcla diluida de vinagre y agua. No frote ni use productos fuertes y abrasivos para limpiar la FreshSpa, ya que pueden rayar el producto.

### **Si no lo Usa a Corto Plazo**

Si no usará el producto por más de un par de semanas, puede cerrar el suministro de agua en la pared para extremar las precauciones.

## Especificaciones del Producto

FRESHSPA THINLINE BIDET ATTACHMENT WITH ADJUSTABLE SINGLE NOZZLE	
Modelos	FSA-15, FSA-25
Presión del Suministro de Agua	14.5 psi–116.03 psi / 0.1 MPa–0.8 MPa
Dimensiones (L x W x H)	15.43" x 9.96" x 3.33" / 39.2 cm x 25.3 cm x 8.45 cm
Peso	FSA-15: 1.28 lb / 0.58 kg FSA-25: 1.71 lb / 0.78 kg
Espesor del producto	0.33" / 0.85 cm
Rango de temperatura del agua de entrada	32°F–158°F / 0°C–70°C
Tasa de flujo	0.39 g/min / 1.47 L/min

Importante: Las especificaciones enumeradas anteriormente están sujetas a cambios sin previo aviso por razones de mejora del rendimiento del producto.

# Garantía

Los productos BRONDELL cuentan con una de las garantías más completas de la industria. BRONDELL garantiza que todos los productos (excepto los artículos consumibles) estarán libres de defectos de material y mano de obra bajo condiciones normales de uso y servicio.

## **Garantía Del FSA-15 & FSA-25 Residencial Limitada De 1 Año**

Cobertura del 100 % para todas las piezas y manufactura de todo el producto durante el primer año desde la fecha inicial de compra.

## **FSA-15 & FSA-25 Garantía Comercial**

Todos los productos BRONDELL cuentan con garantía por 1 año desde la fecha inicial de compra. Es posible que la garantía no cubra los productos que se utilicen en entornos comerciales, hospitalarios o de otro tipo que no sean residenciales.

## **Exclusiones y Limitaciones**

1. BRONDELL garantiza que todos sus productos están libres de defectos en la fabricación durante el uso y servicio normales. Esta garantía cubre únicamente al COMPRADOR ORIGINAL.
2. Las obligaciones de BRONDELL de acuerdo con la presente garantía se limitan a ofrecer reparación o reemplazos, a elección de BRONDELL, de los productos o piezas que presenten defectos en el caso de que los productos se hayan instalado y usado correctamente de acuerdo con las instrucciones. BRONDELL se reserva el derecho de realizar las inspecciones que sean necesarias para determinar la causa del defecto.
3. BRONDELL no es responsable del costo de retiro, devolución (envío) y/o reinstalación de los productos. La presente garantía NO cubre:
  - Daños y pérdidas que ocurran durante el envío.
  - Daños y pérdidas que ocurran por causas naturales o por el hombre más allá del control de BRONDELL, como en el caso de incendios, terremotos, inundaciones, etc.
  - Daños y pérdidas que ocurran por causa de sedimentos o materiales extraños que se encuentren en el sistema del agua.
  - Daños y pérdidas que ocurran por causa de una instalación negligente o inadecuada, como la instalación de una unidad en un entorno riguroso o peligroso.
  - Daños y pérdidas que ocurran por causa del retiro, reparación inadecuada, modificación del producto o mantenimiento inadecuado, como los daños causados por el uso de cloro o productos derivados.
4. La presente garantía le otorga derechos específicos. Es posible que cuente con otros derechos que varíen de estado a estado.

LA PRESENTE GARANTÍA POR ESCRITO ES LA ÚNICA QUE OTORGA BRONDELL. LA REPARACIÓN O EL REMPLAZO TAL COMO SE ESPECIFICAN EN LA PRESENTE GARANTÍA SON LAS ÚNICAS COMPENSACIONES QUE SE OFRECERÁN AL COMPRADOR. BRONDELL NO HARÁ RESPONSABLE EN CASO DE QUE EL PRODUCTO NO SE PUEDA UTILIZAR MÁS O POR OTROS DAÑOS O GASTOS SECUNDARIOS, ESPECIALES O RELACIONADOS EN LOS QUE INCURRA EL COMPRADOR. TAMPOCO SERÁ RESPONSABLE POR LOS COSTOS DE MANO DE OBRA O DE OTRO TIPO QUE SURJAN DE LA INSTALACIÓN O RETIRO DEL EQUIPO, LOS COSTOS DE REPARACIÓN DE TERCEROS NI CUALQUIER OTRO TIPO DE GASTO QUE NO SE INDIQUE ESPECÍFICAMENTE. EXCEPTO EN LA MEDIDA EN QUE LO PROHÍBE LA LEY VIGENTE, CUALQUIER GARANTÍA IMPLÍCITA, COMO LA DE COMERCIABILIDAD, ESTÁ EXPRESAMENTE LIMITADA A LA DURACIÓN DE LA PRESENTE GARANTÍA. EN EL CASO DE LOS ESTADOS QUE NO ACEPTAN LIMITACIONES, NO REGIRÁN LOS LÍMITES NI LAS EXCLUSIONES INDICADAS ANTERIORMENTE.

## **Cómo Utilizar El Servicio De Reparación**

Para obtener el servicio de reparación conforme a esta garantía, debe comunicarse con un Centro de Servicio BRONDELL autorizado para obtener un número de RMA (Autorización de Devolución de Mercancía). El comprobante de compra en forma de una copia del recibo original debe acompañar a la unidad devuelta para que la garantía sea válida. Lleve o envíe la unidad mediante mensajería prepagada al centro de servicio autorizado de BRONDELL más cercano junto con el número de RMA y el comprobante de compra. Para obtener el número de RMA y localizar el Centro de Servicio BRONDELL más cercano, llame al 1-888-542-3355, de lunes a viernes, de 9am-5pm PST.



# Brondell

Feels better already.

Brondell, Inc.  
PO Box 470085  
San Francisco, CA  
94147-0085  
support@brondell.com  
www.brondell.com

**Si tiene preguntas, póngase en  
contacto con Brondell Servicio al  
Cliente:**

(888) 542-335  
Lunes–Viernes, 9am–5pm PST

**Fabricado por:**

Brondell, Inc.  
PO Box 470085  
San Francisco, CA  
94147-0085

Hecho en China

**Por favor, guarde los registros de  
recibos de las reclamaciones de  
garantía.**

# Table des Matières

Ce manuel contient des informations importantes portant sur la sécurité. Avant d'utiliser votre accessoire de bidet FreshSpa, veuillez lire attentivement ce manuel et le conserver pour référence ultérieure.

## INFORMATIONS SUR LE PRODUIT

- 35** Caractéristiques du produit
- 36** Dimensions du produit
- 37** Composantes du produit

## INSTALLATION DU PRODUIT

- 38** Avant l'installation
- 39** Installation
- 42** Installation de la fixation du bidet

## FONCTIONNEMENT DU PRODUIT

- 44** Utilisation du FreshSpa

## INFORMATIONS TECHNIQUES

- 46** Entretien
- 47** Spécifications
- 48** Garantie
- 49** Contact

## TRADUCTIONS

- 2** Anglais
- 18** Espagnol

## Caractéristiques du Produit

### CARACTÉRISTIQUES DU FSA-15 À TEMPÉRATURE AMBIANTE

Buse à position réglable pour un lavage avant ou arrière

Matériau ABS de haute qualité avec panneau intégral

Buses hygiéniques rétractables

Buses autonettoyantes

Pression d'eau réglable

Valve interne à noyau en céramique avec construction monocorps brevetée

Métal de haute qualitévalve en T 3/8"

Tuyau d'eau froide en métal tressé durable

Pas d'électricité ou de piles nécessaires

Installation facile et adaptation ajustable à la toilette

Tous les accessoires inclus pour une installation standard

Garantie d'un an

### CARACTÉRISTIQUES DU FSA-25 À DOUBLE TEMPÉRATURE UNIQUEMENT

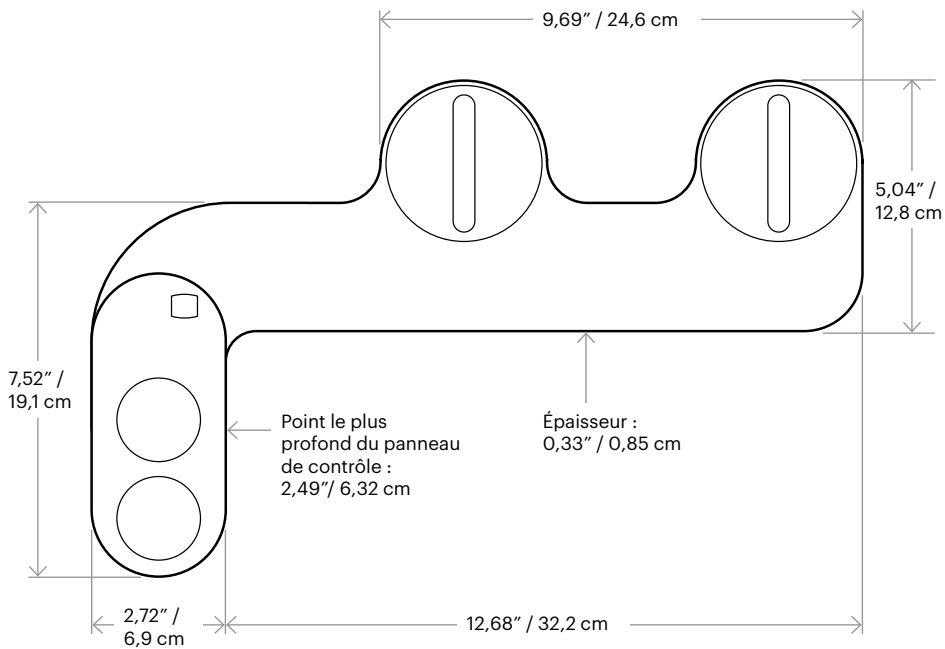
Lavages de bidet à l'eau chaude (tiède) et froide

Température de l'eau réglable

Tuyau flexible et durable résistant à l'eau chaude à haute température

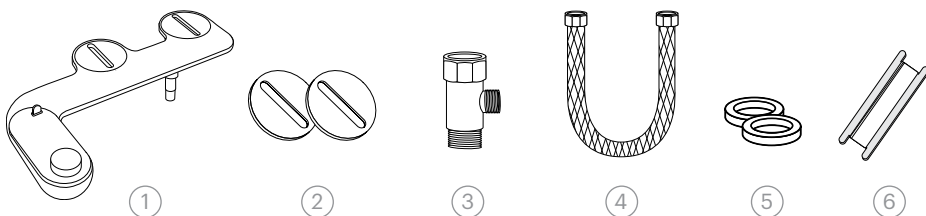
Métal de haute qualitévalve en T 3/8"

## Dimensions du Produit



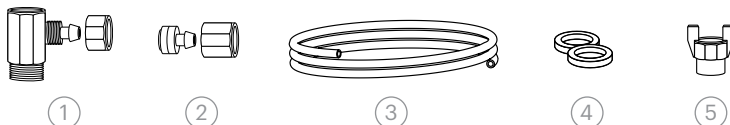
## Composantes du Produit

1. Fixation du Bidet
2. Supports de Montage Ajustables
3. Connecteur de Valve en T Pour eau Froide ( $\frac{1}{8}$ " x  $\frac{3}{8}$ " x  $\frac{3}{8}$ "
4. Tuyau d'eau froide en métal tressé, longueur du tuyau : 60 cm
5. Grandes Rondelles en Caoutchouc (2)
6. Ruban en Téflon



### Pièces Pour Le Modèle À Double Température Uniquement

1. Eau Chaude  $\frac{3}{8}$ " Valve en T Avec  $\frac{1}{4}$ " Connecteur de Pression et Capuchon de Pression
2. Raccord de Pression du Tuyau D'eau Chaude Avec Bouchon de Pression
3. Tuyau d'eau chaude flexible de  $\frac{1}{4}$ ", longueur du tuyau : 200 cm
4. Petites Rondelles en Caoutchouc (2)
5. Bouchon D'alimentation en Eau Chaude



## Avant l'installation

### IMPORTANT :

Veuillez noter que la valve en T pour l'eau froide fournie doit être installée sur la valve de remplissage située sous le réservoir de la toilette, et NON sur l'approvisionnement en eau froide provenant du mur.

**REMARQUE :** La valve en T pour eau chaude sera installée au niveau de l'alimentation en eau chaude sous le lavabo de votre salle de bain. Si vous n'avez pas accès au robinet de remplissage sous le réservoir des toilettes, visitez-nous au [www.brondell.com](http://www.brondell.com) ou contactez-nous au **1 888 542-3355** pour obtenir de l'aide.

### Pour le modèle FSA-25 à double température uniquement :

Vérifiez la taille de la connexion d'alimentation en eau chaude (très probablement sous l'évier/lavabo). Cela devrait être une connexion de 3/8 po pour ajuster et installer correctement la valve en T fournie.

**REMARQUE :** Si la connexion est une connexion 1/2 po, vous devrez acheter l'adaptateur de réduction suivant disponible en ligne et dans de nombreuses quincailleries de plomberie : **Adaptateur réducteur, 1/2" femelle NPT x compression mâle 3/8"**

### Vérifiez la Ligne d'Alimentation en Eau

Vérifiez la conduite d'alimentation en eau qui relie la valve de remplissage du réservoir de la toilette à la valve d'arrêt d'eau située au mur. S'il s'agit d'un tuyau rigide, vous devrez acheter un tuyau flexible d'alimentation en eau pour le remplacer avant d'installer le FreshSpa.

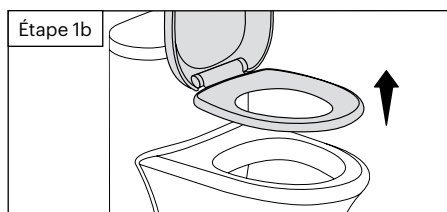
La longueur du tuyau peut varier et la taille de la connexion du haut devrait être un robinet à bille de 7/8 po pour se connecter à la valve en T que vous installerez sous le réservoir de la toilette et la connexion du bas variera (les mesures les plus courantes pour les raccords de compression femelle sont 3/8 po et 1/2 po).

# Installation

Veillez lire attentivement ces instructions avant d'installer votre FreshSpa. Le défaut de le faire pourrait entraîner un dégât d'eau, des fuites ou des dommages au dispositif.

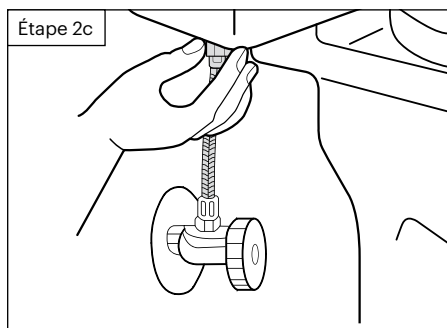
## 1. Retrait du siège de toilette existant

- Soulevez les charnières du couvercle de la toilette et utilisez un tournevis à tête plate ou un tournevis cruciforme pour retirer les boulons de fixation. Par ailleurs, vous devrez peut-être desserrer les boulons de fixation sous le siège.
- Retirer le siège de toilette et mettez de côté les boulons de montage et la quincaillerie du siège.



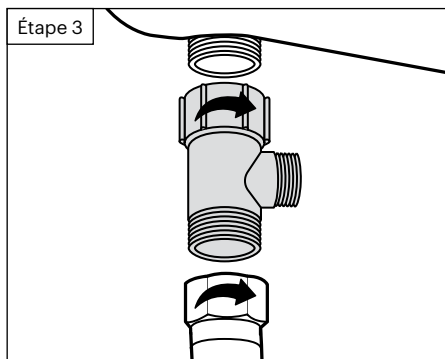
## 2. Fermez la valve d'alimentation en eau et tirez la chasse de la toilette.

- Fermez le robinet d'alimentation en eau pour arrêter le débit d'eau.
- Tirez la chasse et maintenez la poignée pour vider complètement le réservoir.
- Débranchez le tuyau d'arrivée d'eau du réservoir de la toilette. Ne débranchez pas le bidet de la valve d'alimentation en eau.



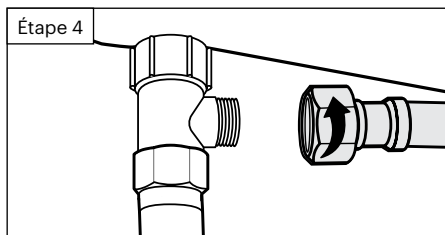
## 3. Raccordez la valve en T d'eau froide à la valve de remplissage du réservoir de toilette.

- Installez la valve en T pour l'eau froide  $\frac{3}{8}$ " avec un ou les deux des grandes rondelles en caoutchouc au raccordement d'arrivée d'eau sur le bas de votre réservoir de toilette.
- Raccordez la conduite d'alimentation en eau froide provenant du mur au bas de la valve en T.



## 4. Raccordement du tuyau du bidet à la valve en T.

Branchez une extrémité du tuyau d'eau froide du bidet (en métal tressé) sur le côté ouvert restant de la valve en T installée.

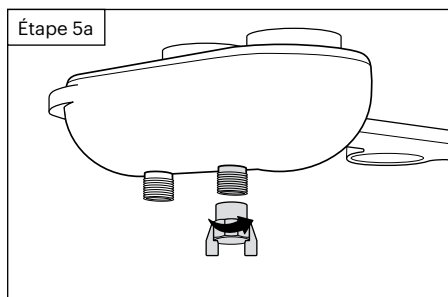


**POUR LE MODÈLE À TEMPÉRATURE AMBIANTE, ARRÊTEZ-VOUS ICI ET PASSEZ À « INSTALLATION DE LA FIXATION DU BIDET » À LA PAGE 42. POUR LE MODÈLE À DOUBLE TEMPÉRATURE, CONTINUEZ CI-DESSOUS.**

# Installation

## 5. Installation du capuchon d'alimentation en eau chaude.

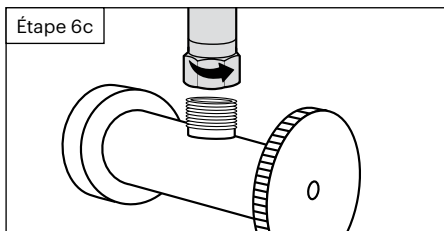
- Si vous connectez uniquement l'alimentation en eau froide, vous devez donc installer le capuchon d'alimentation en eau chaude (fourni – voir page 37) sur le raccordement d'eau chaude de votre bidet (voir schéma).
- Après avoir installé le bouchon sur le raccordement d'eau chaude, passez à « Installation de la fixation du bidet » à la page 42. Si vous souhaitez également raccorder votre alimentation en eau chaude, passez aux étapes suivantes.



**IMPORTANT :** Ne pas connecter ou boucher l'alimentation en eau chaude entraînera des fuites pendant l'utilisation.

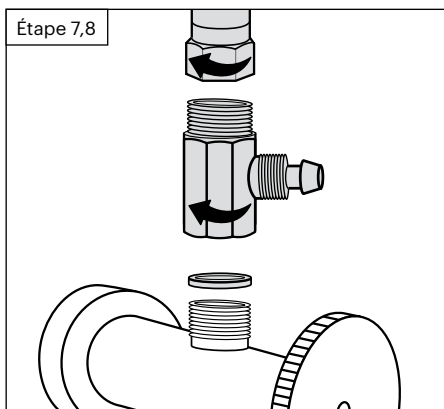
## 6. Connexion de l'alimentation en eau chaude.

- Localisez la conduite d'alimentation en eau chaude dans votre salle de bain sous votre évier/lavabo et fermez complètement le robinet d'alimentation en eau.
- Videz la conduite d'eau chaude en tournant le robinet de l'évier en position « chaud » jusqu'à ce qu'il ne reste plus d'eau.
- Débranchez le tuyau d'alimentation en eau chaude de la valve d'arrêt. Vous devrez peut-être utiliser une clé compatible de 3/8 po ou un outil similaire (non fourni).



**NOTE :** Il peut y avoir de l'eau résiduelle dans le tuyau; utilisez un petit récipient ou une serviette pour attraper toute l'eau résiduelle.

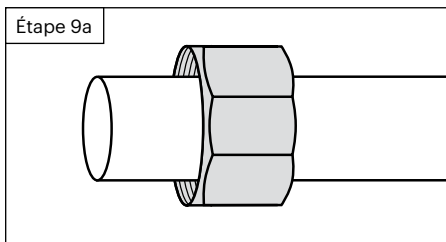
- Installez la valve en T pour l'eau chaude de 3/8 po et les petites rondelles en caoutchouc, si nécessaire, sur la valve d'arrêt pour eau chaude située sous l'évier.
- Rebranchez la conduite d'alimentation en eau chaude sur l'extrémité ouverte (en haut) de la valve en T.



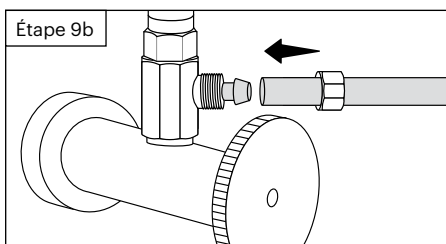
## 9. S'il n'a pas déjà été retiré, dévisser le capuchon de pression recouvrant le connecteur de pression sur la valve en T.

- Faites glisser le capuchon de pression sur l'extrémité ouverte du tube flexible d'eau chaude avec le filetage intérieur dirigé vers l'extrémité ouverte.



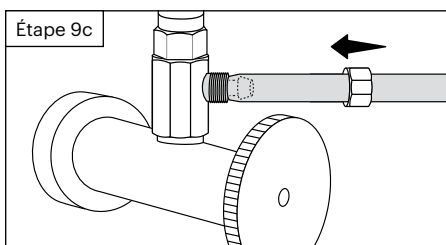


b. Poussez le tuyau flexible de l'eau chaude sur le connecteur de pression.

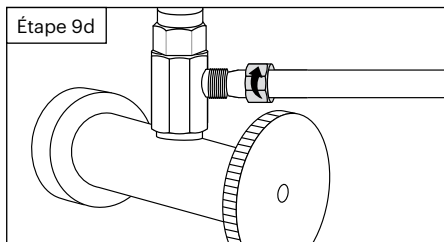


**IMPORTANT :** Assurez-vous de faire glisser le tube flexible de l'eau chaude sur le connecteur de pression jusqu'à ce que le tube glisse au-delà de la « lèvre » du connecteur de pression et qu'il ne puisse pas aller plus loin.

c. Faites glisser le capuchon de pression jusqu'à ce que le capuchon rejoigne le connecteur de pression.



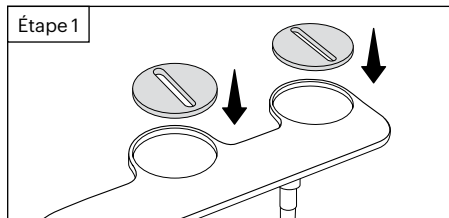
d. Vissez le bouchon sur la valve en T jusqu'à ce qu'il soit bien fixé et serré.



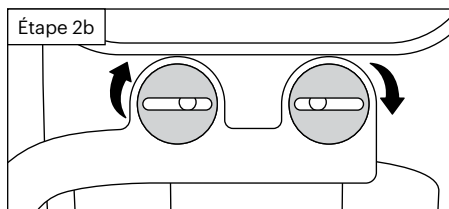
**ATTENTION :** Ne pas trop serrer le bouchon de pression. Vous risqueriez d'endommager le tube.

## Installation de la Fixation du Bidet

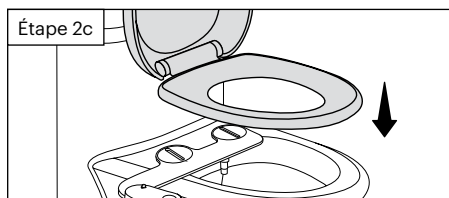
1. Installez les supports de montage ajustables dans la pièce de fixation du bidet. Placez les supports de montage circulaires dans les ouvertures circulaires de la pièce de fixation du bidet.



2. Installez la fixation du bidet sur la toilette.
  - a. Placez le bidet sur les toilettes de sorte que la buse se trouve aussi près que possible du dos de la cuvette des toilettes. Cette étape variera selon les toilettes.
  - b. Assurez-vous que les supports réglables sont alignés avec les trous de la toilette. Vous devrez peut-être faire pivoter les supports réglables en conséquence pour les aligner correctement.



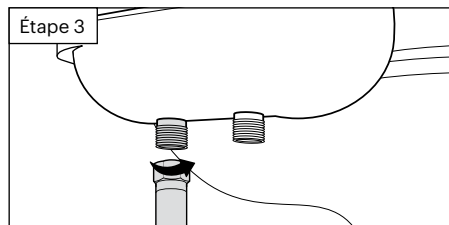
- c. Remplacez le siège des toilettes sur la fixation du bidet et fixez-le à l'aide de la quincaillerie d'origine du siège des toilettes. Assurez-vous de serrer afin que le bidet et le siège ne bougent pas.



- d. Assurez-vous que le cadran de commande du bidet est en position Arrêt et faites attention à ne pas le mettre en position de fonctionnement pour empêcher toute projection d'eau accidentelle en dehors de la cuvette.

3. Connectez le tuyau de bidet à la fixation de bidet.

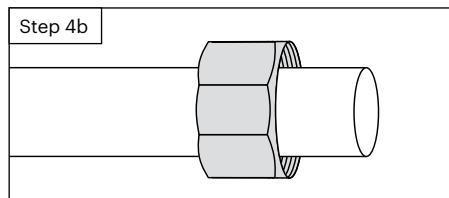
Connectez l'extrémité ouverte du tuyau de bidet à la connexion d'eau froide sous la fixation de bidet.



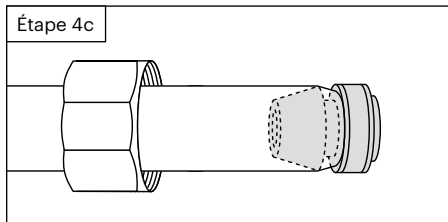
**IMPORTANT:** Si vous avez déjà installé le capuchon pour l'alimentation en eau chaude sur la sortie de l'alimentation en eau chaude de votre FSA-25 double température, passez à l'étape 5 à la page 43. Sinon, passez aux étapes suivantes.

4. Connexion du tube d'eau chaude à la fixation du bidet (pour le modèle à double température uniquement)

- a. Prenez le connecteur de pression du tuyau d'eau chaude et retirez le capuchon de pression.
- b. Faites glisser le capuchon de pression sur l'extrémité ouverte du tube flexible d'eau chaude avec le filetage intérieur dirigé vers l'extrémité ouverte.

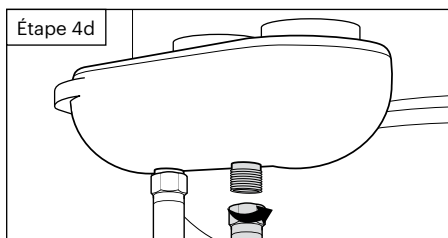


- c. Poussez le capuchon de pression dans l'extrémité ouverte du tube flexible d'eau chaude avec la rondelle tournée vers l'extérieur.



**IMPORTANT :** Assurez-vous de faire glisser le tube flexible de l'eau chaude sur le connecteur de pression jusqu'à ce que le tube glisse au-delà de la « lèvre » du connecteur de pression et qu'il ne puisse pas aller plus loin.

- d. Tenir le raccord de pression vers le haut contre l'entrée d'eau chaude de la fixation du bidet. Faites glisser le capuchon de pression le long du tuyau et vissez-le sur l'entrée d'eau chaude jusqu'à ce que le connecteur de pression soit bien fixé.



## 5. Ouverture de l'alimentation en eau et vérification des fuites

- a. Ouvrez lentement la valve d'alimentation en eau principale et vérifiez qu'elle ne fuit pas.
- b. Attendez 5 à 10 minutes, vérifiez à nouveau et, s'il n'y a pas de fuite, continuez l'installation.

**NOTE :** En cas de fuite, vérifiez toutes les rondelles en caoutchouc et assurez-vous que tous les raccords d'eau sont bien serrés. Si nécessaire, vous pouvez utiliser du ruban de plombier (téflon) pour les connexions qui fuient.

## Utilisation du FreshSpa

### 1. Nettoyage automatique de la buse

Pour nettoyer la buse du bidet, tournez le cadran de commande dans le sens inverse des aiguilles d'une montre jusqu'à la position « Nozzle clean » (Nettoyage buse). De l'eau s'écoule alors pour rincer la buse.

### 2. Lavage à l'aide du bidet

Pour activer la fonction de lavage du bidet, tournez le cadran dans le sens des aiguilles d'une montre jusqu'à la zone de lavage.

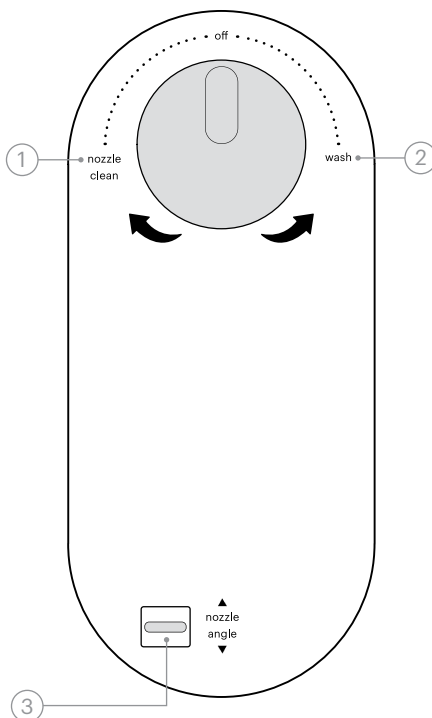
- Plus vous tournez le cadran, plus la pression de l'eau augmente.
- Pour réduire la pression de l'eau, tournez à nouveau le cadran vers le centre.

### 3. Réglage de la position de la buse

Utilisez le levier de positionnement de la buse pour trouver l'angle le plus adapté et profiter d'un lavage optimal.

- Déplacez le levier vers l'avant pour éloigner la buse de votre corps.
- Déplacez le levier vers l'arrière pour rapprocher la buse de votre corps.

**CONSEIL :** le levier de positionnement de la buse peut être utilisé pendant le lavage pour créer un mouvement d'oscillation et bénéficier d'une zone de lavage plus étendue.



## **⚠️ AVERTISSEMENT ⚠️**

Risque de brûlure. Une température d'eau élevée peut causer de graves brûlures. Assurez-vous que la température de votre chauffe-eau soit réglée à une température égale ou inférieure à 49°C et faites preuve d'une extrême prudence lorsque vous mélangez l'eau chaude et l'eau froide pendant l'utilisation.

Brondell ne peut être tenu responsable en cas de mauvaise utilisation du produit ou de manquement à la prudence lors du raccordement à l'eau chaude.

### **Lavage à l'eau chaude (modèle FSA-25 à double température uniquement)**

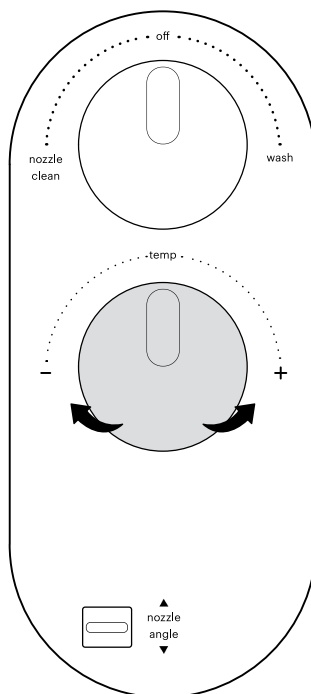
Pour régler la température de l'eau (lorsque le bidet est raccordé à l'eau chaude et à l'eau froide), tournez lentement le cadran dans le sens des aiguilles d'une montre, vers le symbole « + », jusqu'à atteindre la température souhaitée.

#### **REMARQUES :**

Il peut y avoir un délai dans l'arrivée de l'eau chaude jusqu'à l'embout du bidet lorsque l'eau froide dans vos tuyaux s'évacue et est remplacée par de l'eau chaude (semblable au même délai que lorsque vous ouvrez le robinet).

Si l'appareil n'est raccordé qu'à de l'eau froide, s'assurer que le cadran de température de la fixation du bidet est tourné aussi loin que possible vers le réglage « - » pour un réglage optimal de la pression.

**CONSEIL :** pour accélérer facilement l'arrivée d'eau chaude, activez la fonction « Nozzle Cleaning » (Nettoyage buse) avec de l'eau chaude pendant un court instant jusqu'à ce que l'eau se réchauffe, puis utilisez le bidet comme à votre habitude.



## Entretien

### **Nettoyage manuel de la buse**

Pour nettoyer la buse manuellement, utilisez une brosse à dents ou un chiffon doux et un détergent doux (tel que du liquide vaisselle).

### **Nettoyage du bidet adaptable**

Pour nettoyer le bidet adaptable FreshSpa, utilisez un produit nettoyant doux tel que du liquide vaisselle ou un mélange dilué de vinaigre et d'eau. Ne frottez pas et n'utilisez pas de produits abrasifs pour nettoyer le FreshSpa afin de ne pas rayer le produit.

### **Arrêt d'Utilisation Court Terme**

Si le produit ne doit pas être utilisé pendant plus de quelques semaines, vous pouvez envisager de couper l'alimentation en eau au mur pour plus de précaution.

# Spécifications du Produit

FRESHSPA THINLINE BIDET ATTACHMENT WITH ADJUSTABLE SINGLE NOZZLE	
Modèle	FSA-15, FSA-25
Pression d'eau d'alimentation	14,5 psi–116,03 psi / 0,1 MPa–0,8 MPa
Dimensions (L x W x H)	15,43" x 9,96" x 3,33" / 39,2 cm x 25,3 cm x 8,45 cm
Poids	FSA-15: 1,28 lb / 0,58 kg FSA-25: 1,71 lb / 0,78 kg
Épaisseur du produit	0,33" / 0,85 cm
Plage de température de l'arrivée d'eau	32°F–158°F / 0°C–70°C
Débit	0,39 g/min / 1,47 L/min

Remarque : Les spécifications ci-dessus sont sujettes à modification sans préavis pour des raisons d'amélioration des performances du produit.

# Garantie

Les produits BRONDELL bénéficient de certaines des garanties les plus complètes de l'industrie. BRONDELL garantit que tous les produits (à l'exception des articles consommables) sont exempts de défauts de matériaux et de fabrication dans des conditions normales d'utilisation et d'entretien.

### **Garantie Limitée D'un An Résidentiel Pour Le FSA-15 & FSA-25**

Couverture à 100 % pour toutes les pièces et la main-d'œuvre pour l'ensemble du produit pendant la première année à compter de la date d'achat d'origine.

### **FSA-15 & FSA-25 Garantie Commerciale**

Période de garantie de 1 an à compter de la date d'achat d'origine pour tous les produits BRONDELL.

Les garanties peuvent ne pas s'appliquer aux produits qui sont destinés à des utilisations commerciales, hospitalières ou d'autres utilisations non résidentielles à usage intensif.

### **Exclusions Et Limitations**

1. BRONDELL garantit que ses produits sont exempts de défauts de fabrication dans des conditions normales d'utilisation. Cette garantie est offerte uniquement à L'ACHETEUR ORIGINAL.
2. Les obligations de BRONDELL en vertu de la présente garantie se limitent à la réparation ou au remplacement, à la discrétion de Brondell, des produits ou pièces jugés défectueux, à condition que ces produits aient été correctement installés et utilisés conformément aux instructions. BRONDELL se réserve le droit de procéder aux inspections nécessaires pour déterminer la cause du défaut.
3. BRONDELL n'est pas responsable des frais de retrait, de retour (expédition) et/ou de réinstallation des produits. Cette garantie ne s'applique PAS :
  - Aux dommages ou pertes survenant pendant le transport.
  - Dommages ou pertes causés par des causes naturelles ou par l'homme, indépendants de la volonté de BRONDELL, notamment les incendies, les tremblements de terre, les inondations, etc.
  - Aux dommages ou pertes résultant de sédiments ou de corps étrangers contenus dans un système d'alimentation en eau.
  - Aux dommages ou pertes résultant d'une installation négligente ou inappropriée, y compris l'installation d'une unité dans un environnement hostile ou dangereux.
  - Aux dommages ou pertes résultant du retrait, de réparations incorrectes, de modifications du produit ou de travaux d'entretien inappropriés, y compris des dommages causés par le chlore ou des produits apparentés au chlore.
4. Cette garantie vous donne des droits légaux spécifiques. Vous pourriez avoir d'autres droits qui varient d'un État ou d'une province à l'autre.

CETTE GARANTIE ÉCRITE EST LA SEULE GARANTIE FAITE PAR BRONDELL. LA RÉPARATION OU LE REMPLACEMENT FOURNI EN VERTU DE CETTE GARANTIE CONSTITUE LE RECOURS EXCLUSIF À LA DISPOSITION DE L'ACHETEUR. BRONDELL NE PEUT ÊTRE TENU RESPONSABLE DE LA PERTE D'UTILISATION DU PRODUIT OU D'AUTRES FRAIS ACCESSOIRES, PARTICULIERS, DES DOMMAGES INDIRECTS OU FRAIS ENGAGÉS PAR L'ACHETEUR OU DES FRAIS DE TRAVAIL, DESTINÉS À L'INSTALLATION OU À LA SUPPRESSION OU AUX SUPPORTS DE RÉPARATION PAR DES TIERS, OU DE TOUTE AUTRE DÉPENSE NON SPÉCIFIQUEMENT INDIQUÉE CI-DESSUS. SAUF DANS LA MESURE INTERDITE PAR LA LOI APPLICABLE, TOUTES GARANTIES TACITES, Y COMPRIS CELLES DE QUALITÉ MARCHANDE, SONT EXPRESSÉMENT LIMITÉES À LA DURÉE DE CETTE GARANTIE. CERTAINS ÉTATS OU PROVINCES N'AUTORISANT PAS LES LIMITATIONS, LES LIMITATIONS ET EXCLUSIONS CI-DESSUS PEUVENT DONC NE PAS S'APPLIQUER À VOUS.

### **Service D'entretien**

Pour obtenir un service de réparation dans le cadre de cette garantie, vous devez contacter un centre de service après-vente agréé BRONDELL pour obtenir un numéro RMA (autorisation de retour de marchandise). Une preuve d'achat sous la forme d'une copie du reçu original doit accompagner l'unité retournée pour que la garantie soit valide. Emportez ou envoyez l'unité en port payé au centre de service Brondell agréé le plus proche, ainsi que le numéro RMA et la preuve d'achat. Pour obtenir le numéro RMA et localiser le centre de service BRONDELL le plus proche, appelez le 1nbsp888nbsp542-3355 du lundi au vendredi entre 9 h et 17 h HNP.



# Brondell

Feels better already.

Brondell, Inc.  
PO Box 470085  
San Francisco, CA  
94147-0085  
support@brondell.com  
www.brondell.com

**Pour toutes questions, communiquez  
avec le service à la clientèle de Brondell :**  
(888) 542-335 du lundi au vendredi entre  
9 h et 17 h HNP

**Fabriqué Par :**  
Brondell, Inc.  
PO Box 470085  
San Francisco, CA  
94147-0085

Fabriqué en China

**Il est important de conserver les factures  
pour des réclamations sur la garantie.**





**Brondell**  
Feels better already.

#22FSA15/25-0429